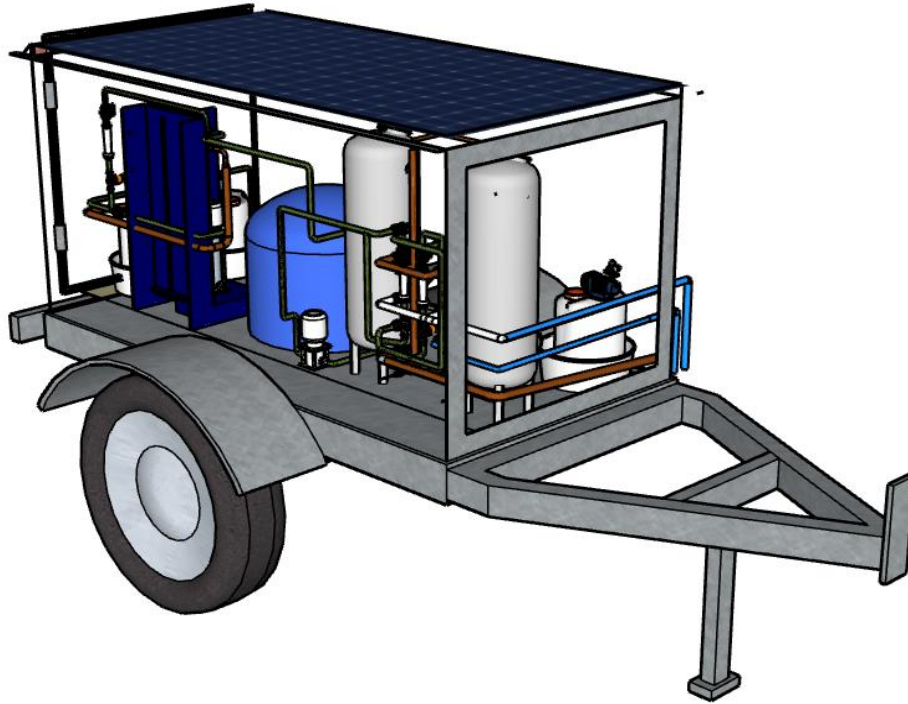


Name of the applicant
Dr. Pankaj Singh
Aiman Naqvi
Dr. Bipasha Mridha Ghosh
Dr. Lipika Nanda
Dr. Pervez Alam
Dr. V.Kannan
Dr.Shankarappa Sridhara
Design Application no: **390403-001**

No of sheets:7, Sheet no: 1



PERSPECTIVE VIEW

The novelty resides in the shape and configuration of **SOLAR ENERGY WATER DESALINATION DEVICE** as illustrated above.

No claim is made by virtue of this registration in respect of any mechanical or other action of any mechanism whatever or in respect of any mode or principle of construction of the Article.

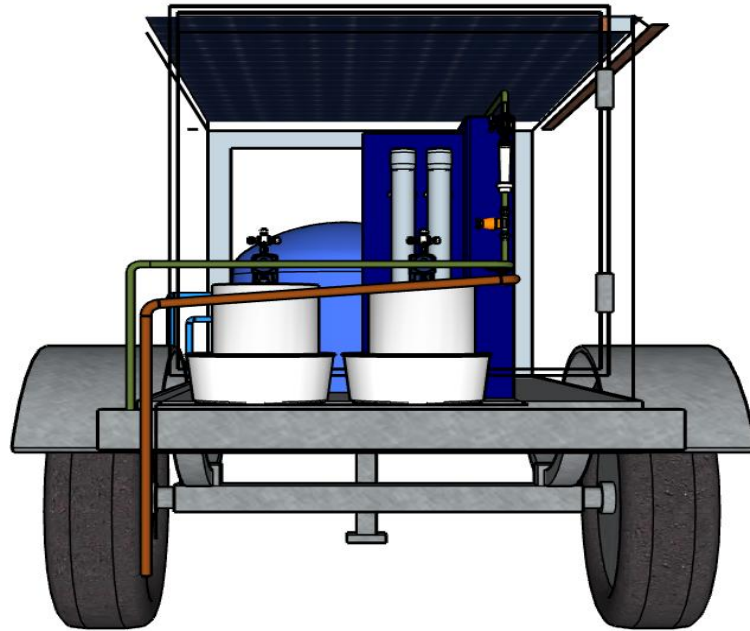
No claim is made by virtue of this registration to any right to the exclusive use of the words, letters, numbers, or trademarks appearing in the representation.

Dated on this day of 16th JULY 2023.

T Sahila [IN/PA-2993]
Agent for the Applicants

Name of the applicant
Dr. Pankaj Singh
Aiman Naqvi
Dr. Bipasha Mridha Ghosh
Dr. Lipika Nanda
Dr. Pervez Alam
Dr. V.Kannan
Dr.Shankarappa Sridhara
Design Application no: **390403-001**

No of sheets:7, Sheet no: 2



FRONT VIEW

The novelty resides in the shape and configuration of **SOLAR ENERGY WATER DESALINATION DEVICE** as illustrated above.

No claim is made by virtue of this registration in respect of any mechanical or other action of any mechanism whatever or in respect of any mode or principle of construction of the Article.

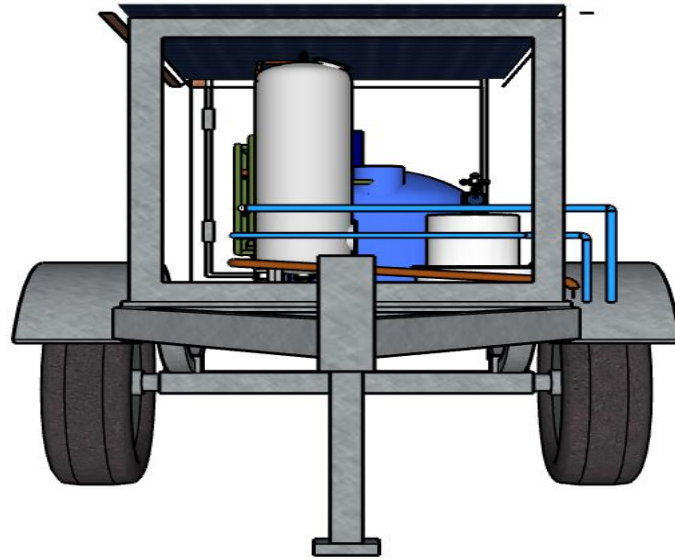
No claim is made by virtue of this registration to any right to the exclusive use of the words, letters, numbers, or trademarks appearing in the representation.

Dated on this day of 16th JULY 2023.

T Sahila [IN/PA-2993]
Agent for the Applicants

Name of the applicant
Dr. Pankaj Singh
Aiman Naqvi
Dr. Bipasha Mridha Ghosh
Dr. Lipika Nanda
Dr. Pervez Alam
Dr. V.Kannan
Dr.Shankarappa Sridhara
Design Application no: **390403-001**

No of sheets:7, Sheet no: 3



REAR VIEW

The novelty resides in the shape and configuration of **SOLAR ENERGY WATER DESALINATION DEVICE** as illustrated above.

No claim is made by virtue of this registration in respect of any mechanical or other action of any mechanism whatever or in respect of any mode or principle of construction of the Article.

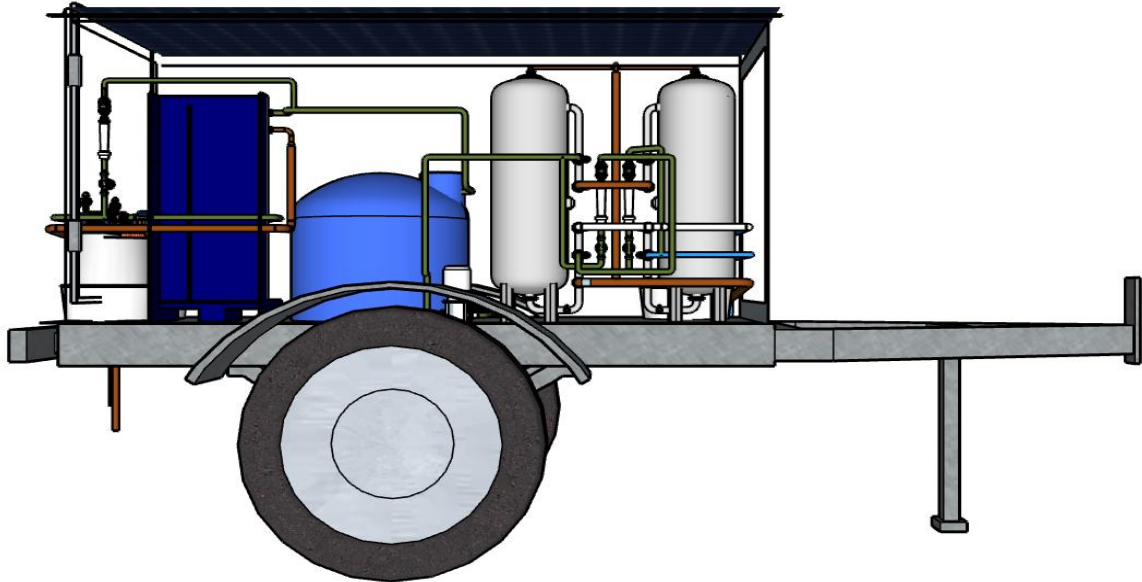
No claim is made by virtue of this registration to any right to the exclusive use of the words, letters, numbers, or trademarks appearing in the representation.

Dated on this day of 16th JULY 2023.

T Sahila [IN/PA-2993]
Agent for the Applicants

Name of the applicant
Dr. Pankaj Singh
Aiman Naqvi
Dr. Bipasha Mridha Ghosh
Dr. Lipika Nanda
Dr. Pervez Alam
Dr. V.Kannan
Dr.Shankarappa Sridhara
Design Application no: **390403-001**

No of sheets:7, Sheet no: 4



LEFT SIDE VIEW

The novelty resides in the shape and configuration of **SOLAR ENERGY WATER DESALINATION DEVICE** as illustrated above.

No claim is made by virtue of this registration in respect of any mechanical or other action of any mechanism whatever or in respect of any mode or principle of construction of the Article.

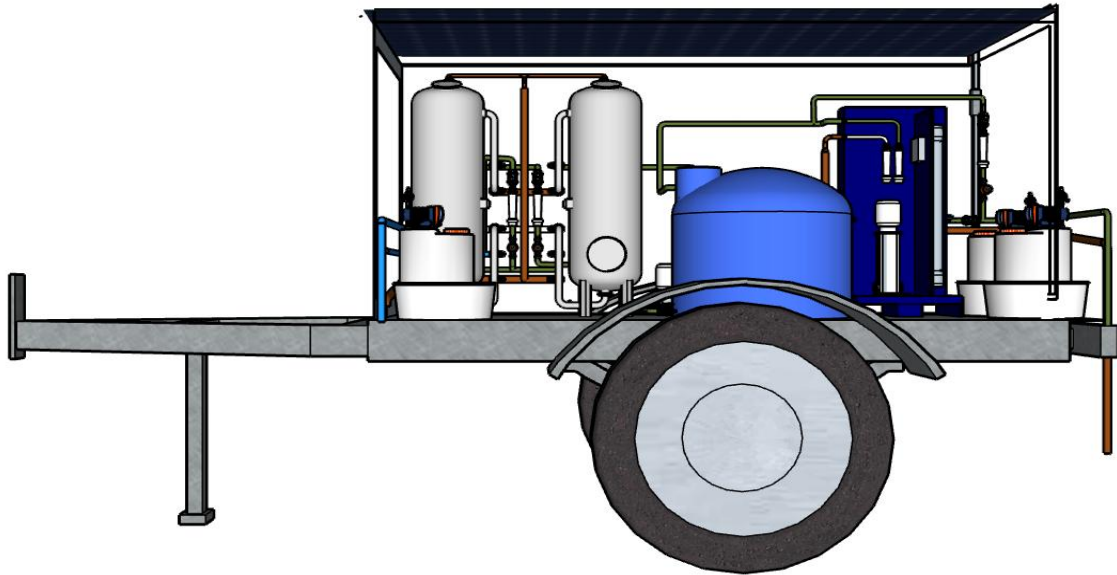
No claim is made by virtue of this registration to any right to the exclusive use of the words, letters, numbers, or trademarks appearing in the representation.

Dated on this day of 16th JULY 2023.

T Sahila [IN/PA-2993]
Agent for the Applicants

Name of the applicant
Dr. Pankaj Singh
Aiman Naqvi
Dr. Bipasha Mridha Ghosh
Dr. Lipika Nanda
Dr. Pervez Alam
Dr. V.Kannan
Dr.Shankarappa Sridhara
Design Application no: **390403-001**

No of sheets:7, Sheet no: 5



RIGHT SIDE VIEW

The novelty resides in the shape and configuration of **SOLAR ENERGY WATER DESALINATION DEVICE** as illustrated above.

No claim is made by virtue of this registration in respect of any mechanical or other action of any mechanism whatever or in respect of any mode or principle of construction of the Article.

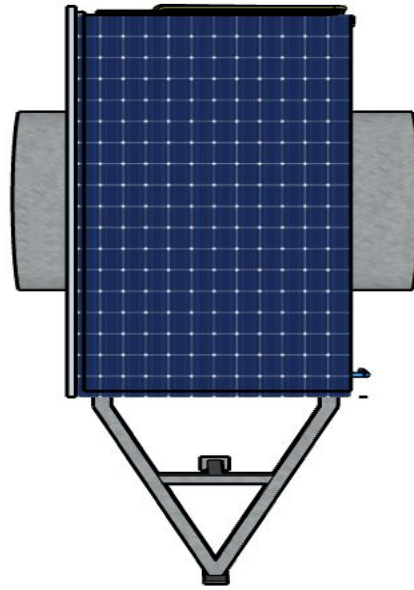
No claim is made by virtue of this registration to any right to the exclusive use of the words, letters, numbers, or trademarks appearing in the representation.

Dated on this day of 16th JULY 2023.

T Sahila [IN/PA-2993]
Agent for the Applicants

Name of the applicant
Dr. Pankaj Singh
Aiman Naqvi
Dr. Bipasha Mridha Ghosh
Dr. Lipika Nanda
Dr. Pervez Alam
Dr. V.Kannan
Dr.Shankarappa Sridhara
Design Application no: **390403-001**

No of sheets:7, Sheet no: 6



TOP VIEW

The novelty resides in the shape and configuration of **SOLAR ENERGY WATER DESALINATION DEVICE** as illustrated above.

No claim is made by virtue of this registration in respect of any mechanical or other action of any mechanism whatever or in respect of any mode or principle of construction of the Article.

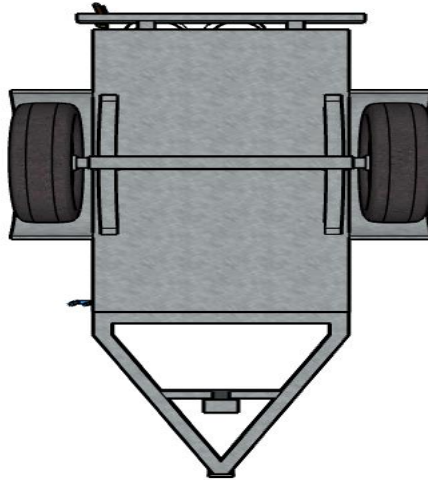
No claim is made by virtue of this registration to any right to the exclusive use of the words, letters, numbers, or trademarks appearing in the representation.

Dated on this day of 16th JULY 2023.

T Sahila [IN/PA-2993]
Agent for the Applicants

Name of the applicant
Dr. Pankaj Singh
Aiman Naqvi
Dr. Bipasha Mridha Ghosh
Dr. Lipika Nanda
Dr. Pervez Alam
Dr. V.Kannan
Dr.Shankarappa Sridhara
Design Application no: **390403-001**

No of sheets:7, Sheet no: 7



BOTTOM VIEW

The novelty resides in the shape and configuration of **SOLAR ENERGY WATER DESALINATION DEVICE** as illustrated above.

No claim is made by virtue of this registration in respect of any mechanical or other action of any mechanism whatever or in respect of any mode or principle of construction of the Article.

No claim is made by virtue of this registration to any right to the exclusive use of the words, letters, numbers, or trademarks appearing in the representation.

Dated on this day of 16th JULY 2023.

T Sahila [IN/PA-2993]
Agent for the Applicants